



APPLICATION SPECIAL USE PERMIT

ADMINISTRATIVE CHANGE OF OWNERSHIP OR MINOR AMENDMENT

Change of Ownership Minor Amendment

[must use black ink or type]

PROPERTY LOCATION: 211 King Street

TAX MAP REFERENCE: 075.01 ZONE: KR

APPLICANT

Name: Rajat Malhotra

Address: _____

PROPERTY OWNER

Name: Joe and Grace Funding LLC

Address: 211 King Street, Alexandria, VA 22314

SITE USE: General Commercial

Business Name: **Current:** Khiban Sushi House **Proposed (if changing):** Bollywood Masala

THE UNDERSIGNED hereby applies for a Special Use Permit for Change in Ownership, in accordance with the provisions of Article XI, Division A, Section 11-503 (5)(f) of the 1992 Zoning Ordinance of City of Alexandria, Virginia.

THE UNDERSIGNED, having read and received a copy of the special use permit, hereby agrees to comply with all conditions of the current special use permit, including all other applicable City codes and ordinances.

THE UNDERSIGNED hereby applies for a Special Use Permit for Minor Amendment, in accordance with the provisions of Article XI, Division A, Section 11-509 and 11-511 of the 1992 Zoning Ordinance of City of Alexandria, Virginia.

THE UNDERSIGNED, having obtained permission from the property owner, hereby requests this special use permit. The undersigned also attests that all of the information herein required to be furnished by the applicant are true, correct and accurate to the best of his/her knowledge and belief.

Rajat Malhotra

Print Name of Applicant or Agent

1064 agricopia dr

Mailing/Street Address

Laplata 20646

City and State Zip Code

Signature

2404619900

Telephone # Fax #

Rajatmalhotra159@gmail.com

Email address

11/09/2022

Date

DO NOT WRITE IN THIS SPACE - OFFICE USE ONLY

Application Received: _____	Fee Paid: \$ _____
Legal advertisement: _____	_____
ACTION - PLANNING COMMISSION _____	ACTION - CITY COUNCIL: _____

4. Is the use currently open for business? Yes No

If the use is closed, provide the date closed. _____ / _____ / _____
month day year

5. Describe any proposed changes to the conditions of the special use permit:
The restaurant use shall occupy all three floors of the building; Interior seating shall be offered for up to one hundred (100) patrons;

6. Are the hours of operation proposed to change? Yes No

If yes, list the current hours and proposed hours:

Current Hours:

Proposed Hours:

7. Will the number of employees remain the same? Yes No

If no, list the current number of employees and the proposed number.

Current Number of Employees:

Proposed Number of Employees:

8. Will there be any renovations or new equipment for the business? Yes No

If yes, describe the type of renovations and/or list any new equipment proposed.

9. Are you proposing changes in the sales or service of alcoholic beverages? Yes No

If yes, describe proposed changes:

10. Is off-street parking provided for your employees? Yes No
If yes, how many spaces, and where are they located?

11. Is off-street parking provided for your customers? Yes No
If yes, how many spaces, and where are they located?

12. Is there a proposed increase in the number of seats or patrons served? Yes No
If yes, describe the current number of seats or patrons served and the proposed number of seats and patrons served. For restaurants, list the number of seats by type (i.e. bar stools, seats at tables, etc.)

Current:	Proposed:
_____	_____
_____	_____
_____	_____

13. Are physical changes to the structure or interior space requested? Yes No
If yes, attach drawings showing existing and proposed layouts. In both cases, include the floor area devoted to uses, i.e. storage area, customer service area, and/or office spaces.

14. Is there a proposed increase in the building area devoted to the business? Yes No
If yes, describe the existing amount of building area and the proposed amount of building area.

Current:	Proposed:
_____	_____
_____	_____
_____	_____

15. The applicant is the (check one) Property owner Lessee
 other, please describe: _____

16. The applicant is the (check one) Current business owner Prospective business owner
 other, please describe: _____

17. Each application shall contain a clear and concise statement identifying the applicant, including the name and address of each person owning an interest in the applicant and the extent of such ownership interest. If the applicant, or one of such persons holding an ownership interest in the applicant is a corporation, each person owning an interest in excess of ten percent (3%) in the corporation and the extent of interest shall be identified by name and address.

For the purpose of this section, the term "ownership interest" shall include any legal or equitable interest held in the subject real estate at the time of the application. If a nonprofit corporation, the name of the registered agent must be provided.

Please provide ownership information here:

Special Use Permits Eligible for Administrative Approval

Certain uses of land that have potentially negative impacts on surrounding properties require special use permit approval from City Council. The City Council may impose conditions on the operation of the special use in order to protect the health, safety and welfare of the surrounding area. For new uses and for intensifications or amendments of existing uses, the Planning Commission and City Council conduct public hearings and decide whether to approve the request. The Director of Planning and Zoning, however, may approve a special use permit administratively if it is only a change in ownership or a minor amendment of a previously approved special use permit.

Special Use Permit for Change of Ownership

If the existing special use permit for an operation restricts the ownership of the use, a prospective owner may not take ownership of the operation until he receives special use permit approval for the change of ownership. Pursuant to Section 11-503, the director may approve the change and transfer the special use permit to a new owner, if the following conditions apply:

- 1) The applicant is not requesting a change in the conditions of the special use permit;
- 2) there have been no substantiated violations of the special use permit conditions;
- 3) there are no changes proposed or anticipated in the operation of the use involved;
- 4) the director has concluded that no new conditions or no amendments to existing conditions are necessary; and
- 5) following notice of the application in a newspaper of general circulation in the City, no person has requested that the director forward the application to the Planning Commission or City Council.

If the application does not meet any one of the above conditions, it must be docketed for the next available Planning Commission and City Council public hearings. If the Director approves a special use permit for change in ownership, the new owner must sign an agreement stating that he/she will to continue to comply with the special use permit conditions.

Special Use Permit for Minor Amendment

Pursuant to Sections 11-509 and 11-511 of the zoning ordinance, the director may approve minor amendments to approved special use permits. Only changes that constitute no more than a minimal enlargement or extension of the special use permit or that are so insignificant they will have little or no zoning impact on the surrounding neighborhood are eligible for administrative approval. If a change will intensify the use, it requires Planning Commission and City Council approval. Changes that intensify a use include any increase in the following:

- 1) Hours of operation;
- 2) number of seats;
- 3) number of employees; visitors of customers; or
- 4) number of vehicle trips generated.

The Director may not administratively approve minor amendments if any of the following apply:

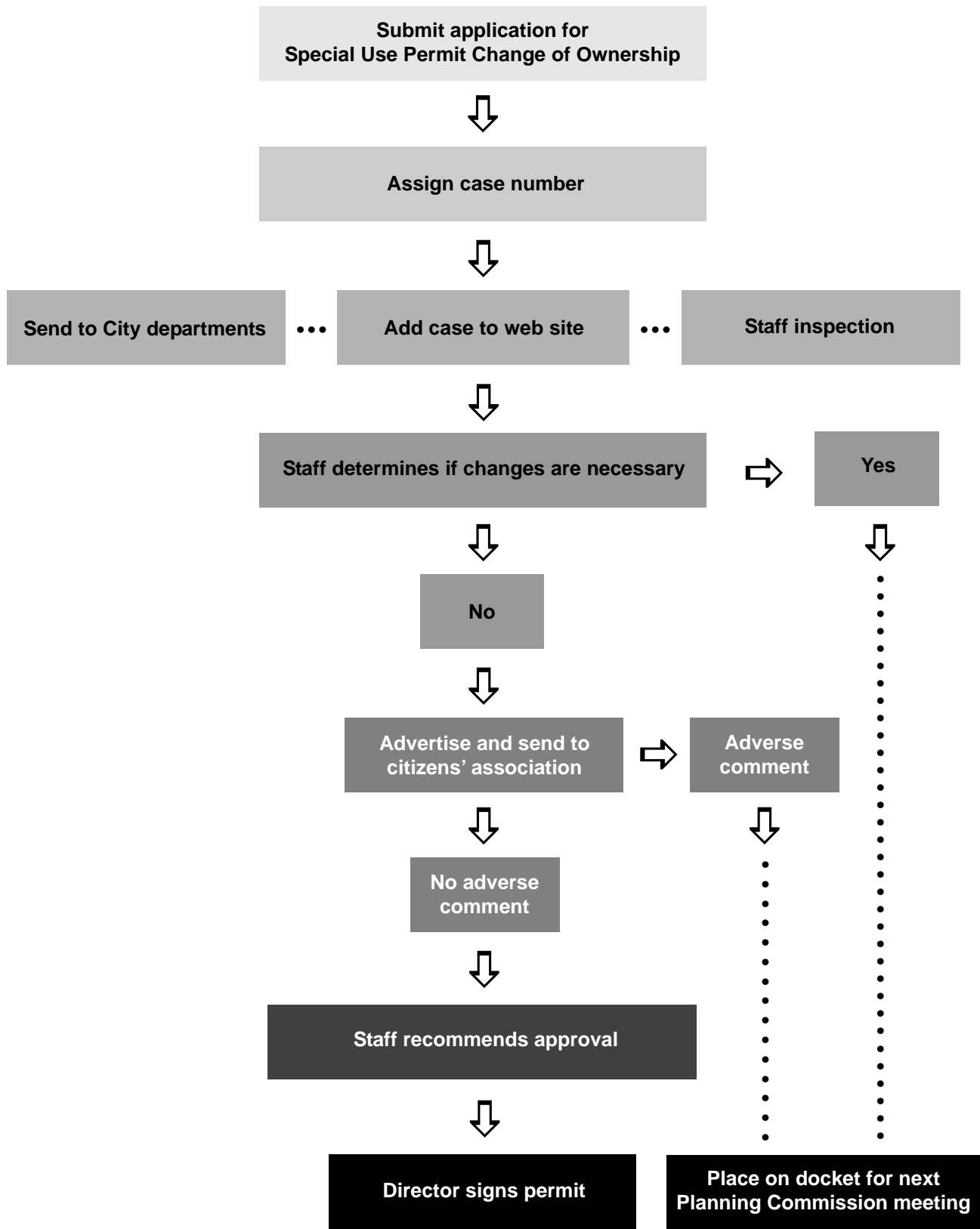
- 1) He/She has received written or oral complaints that the use is in violation of the zoning ordinance;
- 2) at the time the special use permit was approved, opposition was presented to the Planning Commission or City Council; or
- 3) new conditions or amendments to existing conditions are necessary.

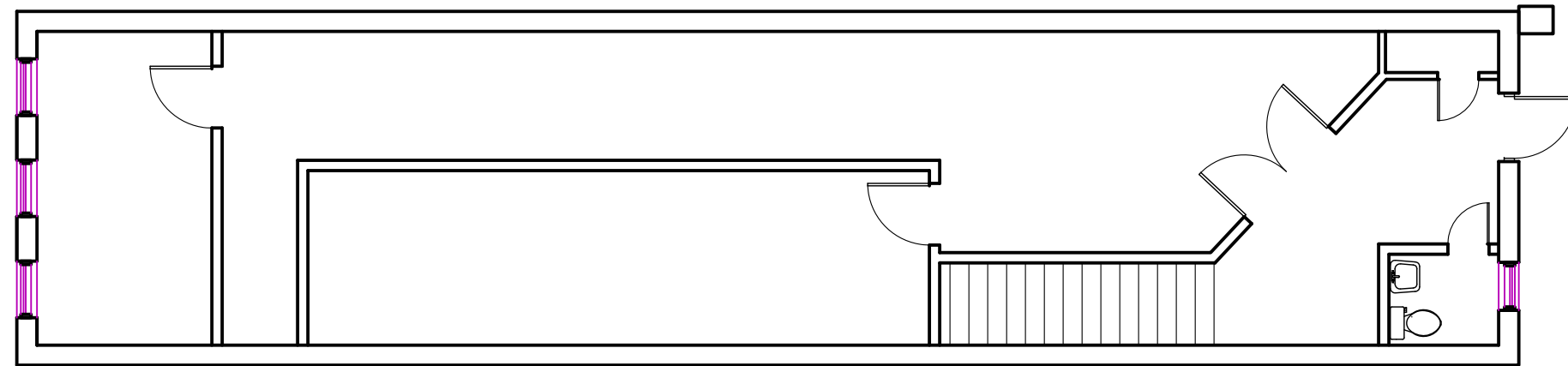
Notice of the application is published in a newspaper of general circulation in the City and is sent to docket subscribers.

Approval Process

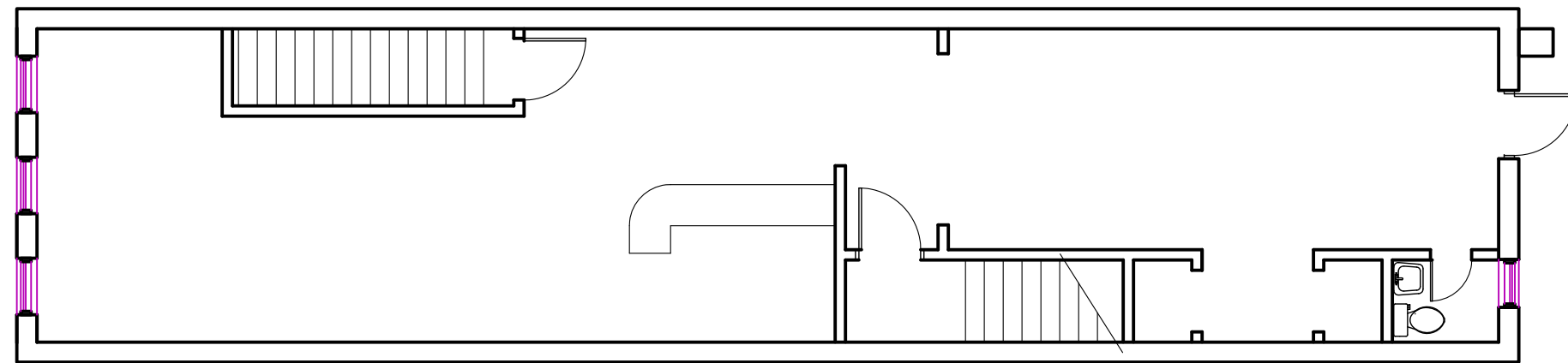
For both change in ownership and minor amendment special use permits, the approval process generally takes between four and six weeks from the time an application is submitted. During that time, staff will review the application, inspect the subject property for compliance with special use permit conditions and advertise the proposed change in the newspaper to provide an opportunity for citizens to comment on the change and, in the case of minor amendments, send notice to the Planning Commission and City Council members. If the Director determines that the Planning Commission and City Council must consider the application, he/she will docket the application for the next available Planning Commission and City Council hearings. At that time, the Director may require additional information regarding the application.

PROCESS FLOW CHART: Change of Ownership SUP

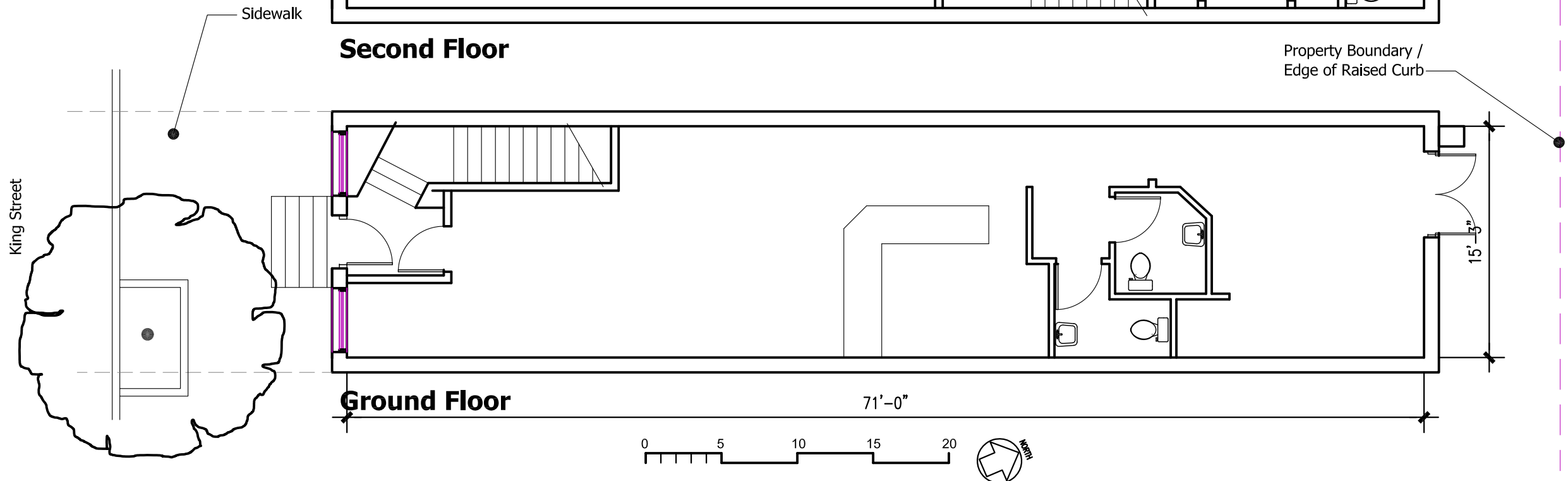




Third Floor



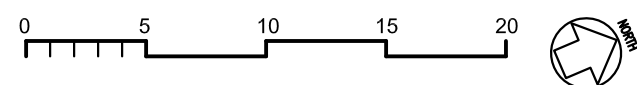
Second Floor



Ground Floor

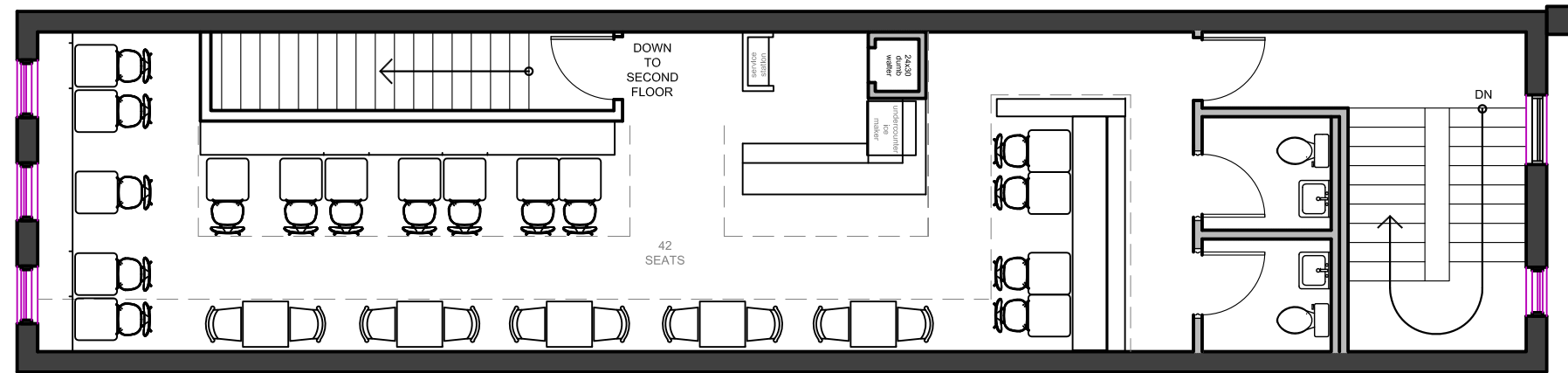
71'-0"

15'-3"

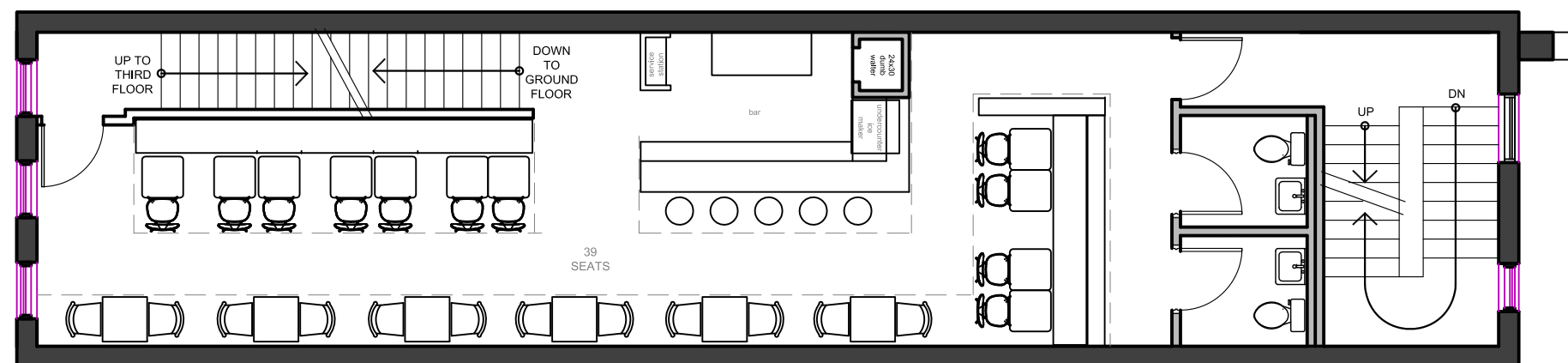


Bollywood Masala - Existing Condition

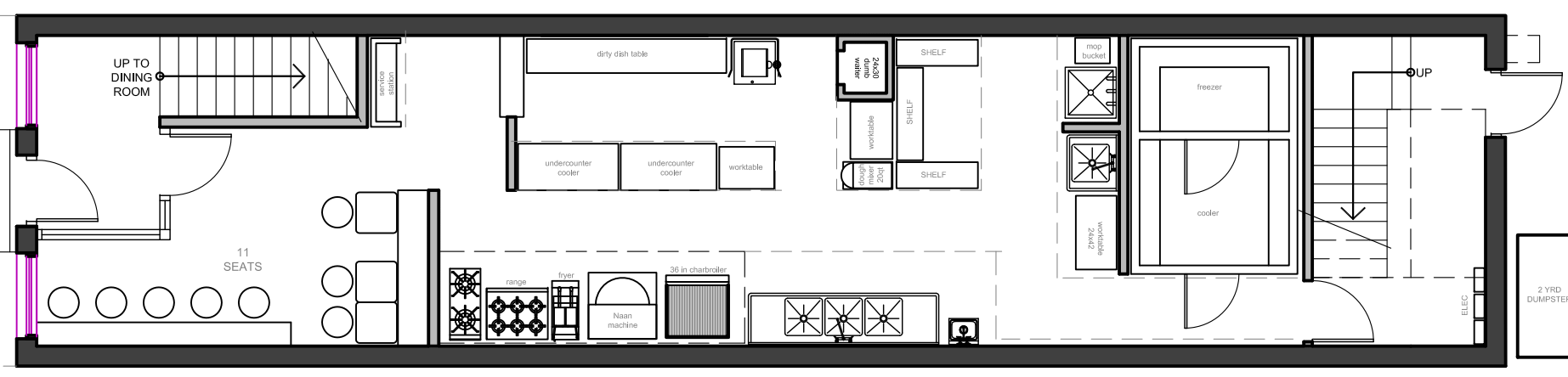
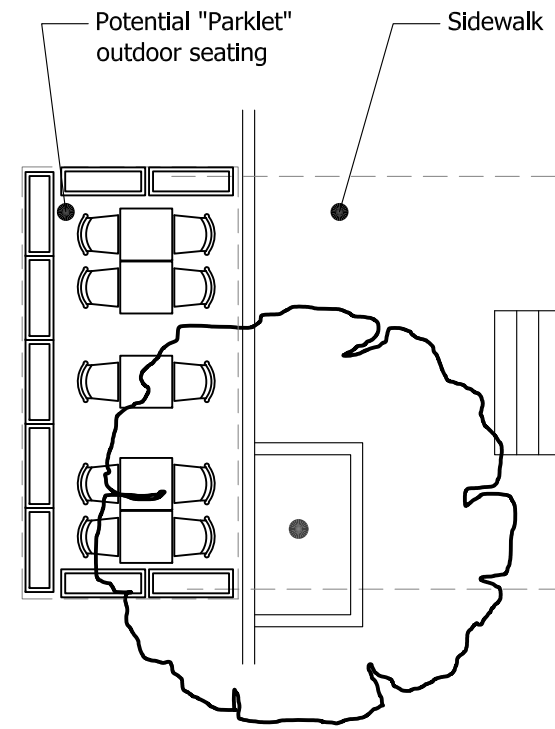
sanchez palmer architects



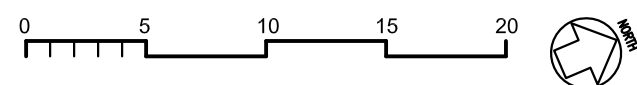
Third Floor



Second Floor

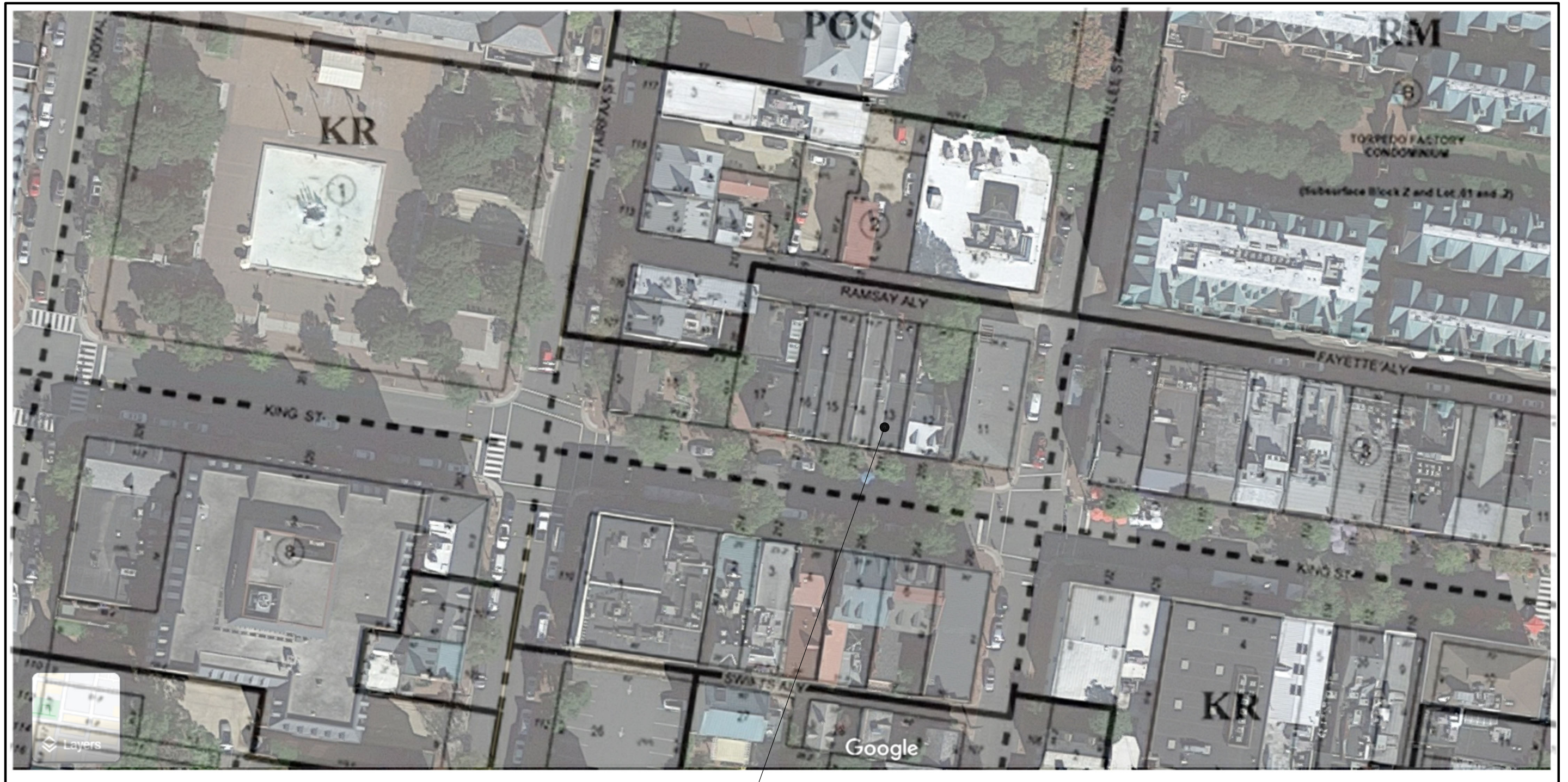


Ground Floor



Bollywood Masala - Proposed Design / Interior Layout for new Restaurant

sanchez palmer architects



Building Location
211 King Street

Bollywood Masala - Site Plan

211 King Street, Alexandria, VA 22314
November 7, 2022

sanchez palmer **architects**

215 N Payne Street, Suite 301
Alexandria, VA 22314
Ph: 703.549.4033

- Remove Window Unit
- New Exterior Signage
- Remove Interior Window Coverings. Restore Vision Windows



King Street

- Replace Door with Window
- Existing Grease Duct to Remain
- Remove Window Unit
- Replace Door with Window
- Remove Fire Escape and Replace with New Interior Stair



Ramsey Alley

Bollywood Masala - Existing Condition Photos with Proposed Modifications

sanchez palmer architects